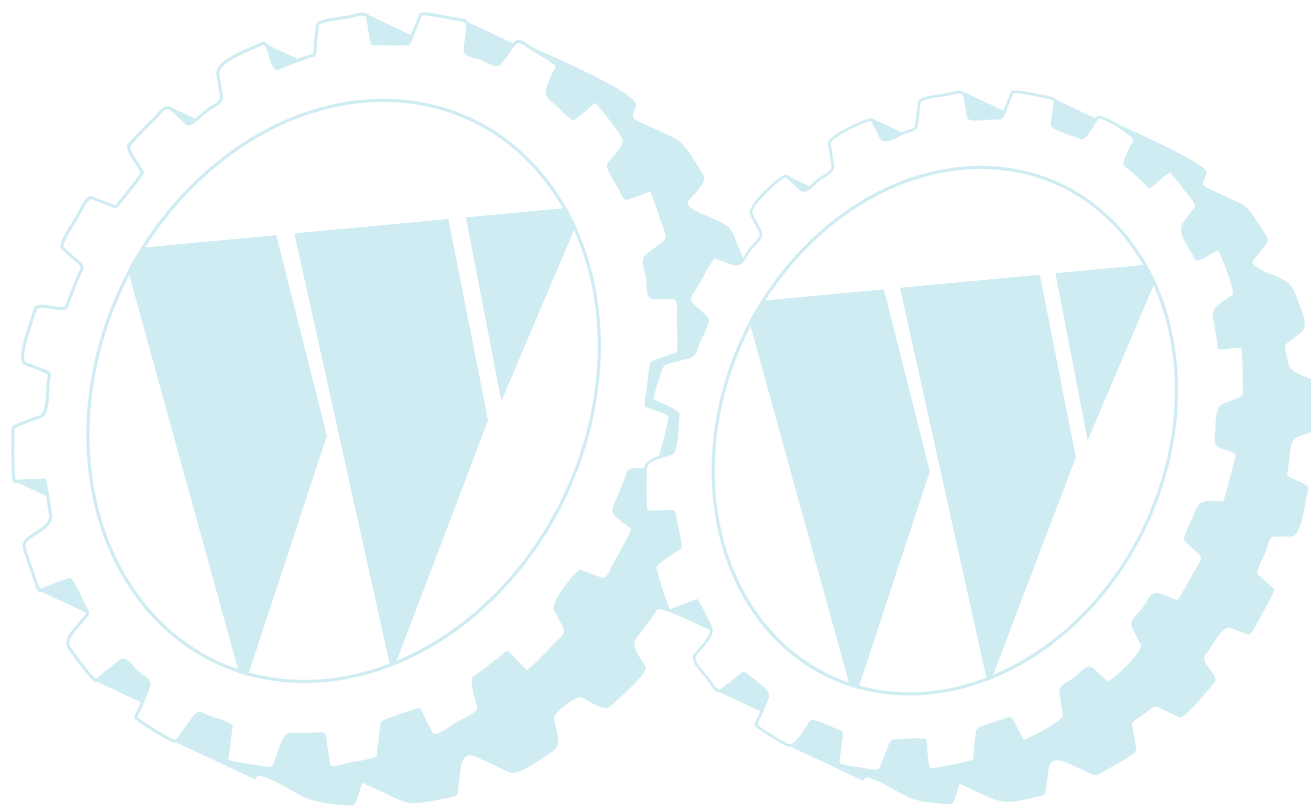
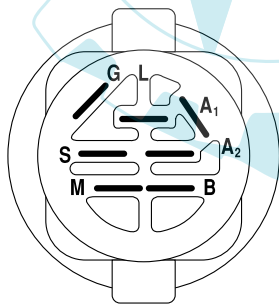
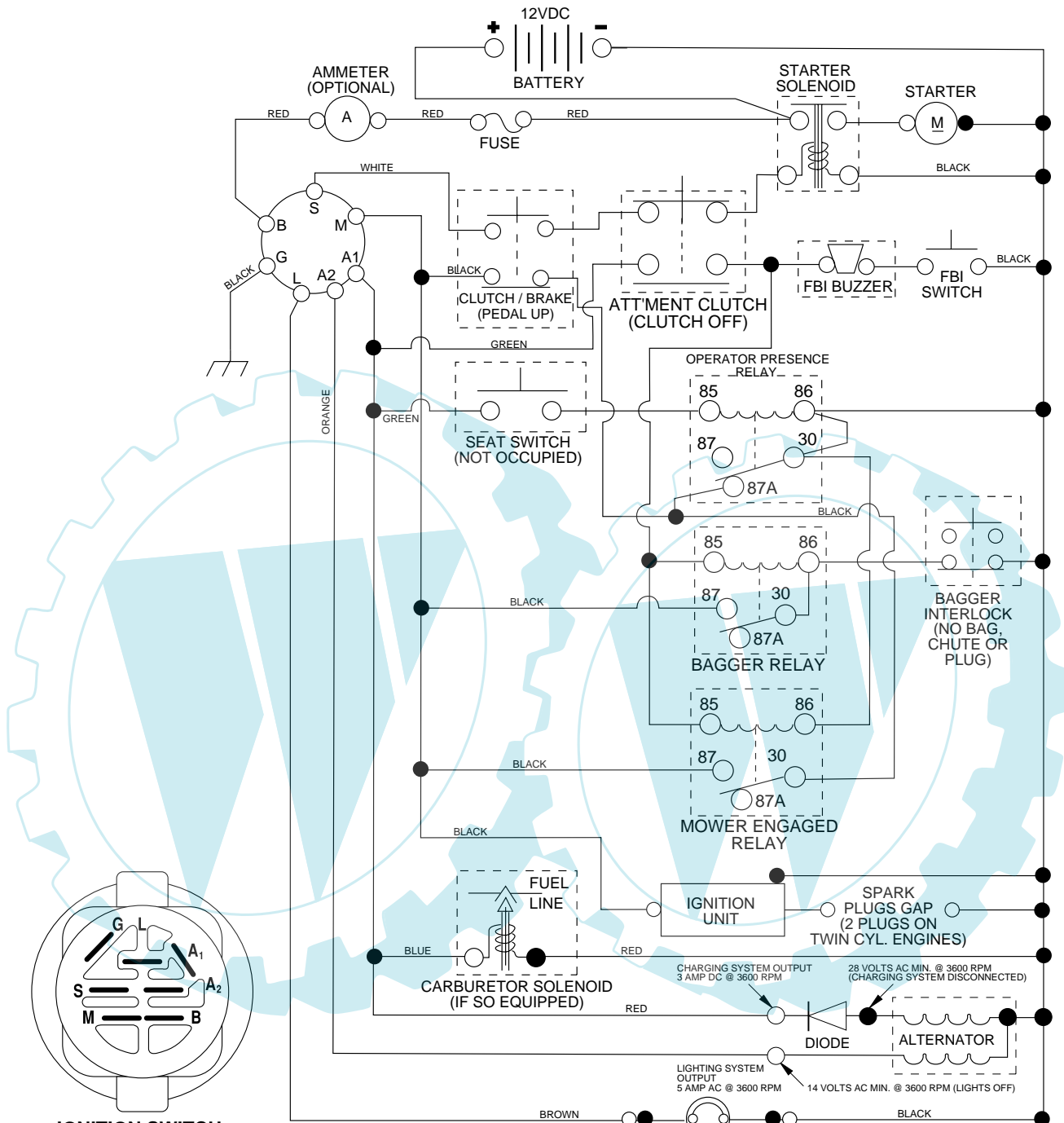


ILLUSTRATED PARTS BREAKDOWN

**YARD PRO
15.5 HP LAWN TRACTOR
MODEL NO. CRDH155-42 (YP155H107RBA)
964 79 35-00**



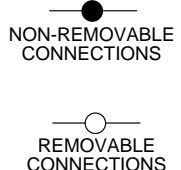
TRACTOR- -MODEL NO. CRDH155-42 (YP155H107RBA), PRODUCT 964 79 35-00
SCHEMATIC



IGNITION SWITCH

| POSITION | CIRCUIT | "MAKE" |
|-----------|------------|--------|
| OFF | M+G+A1 | NONE |
| RUN/LIGHT | B+A1 | A2+L |
| RUN | B+A1 | NONE |
| START | B + S + A1 | NONE |

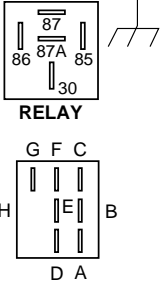
WIRING INSULATED CLIPS
NOTE: IF WIRING INSULATED CLIPS WERE REMOVED FOR SERVICING OF UNIT, THEY SHOULD BE REPLACED TO PROPERLY SECURE YOUR WIRING.



PTO SWITCH

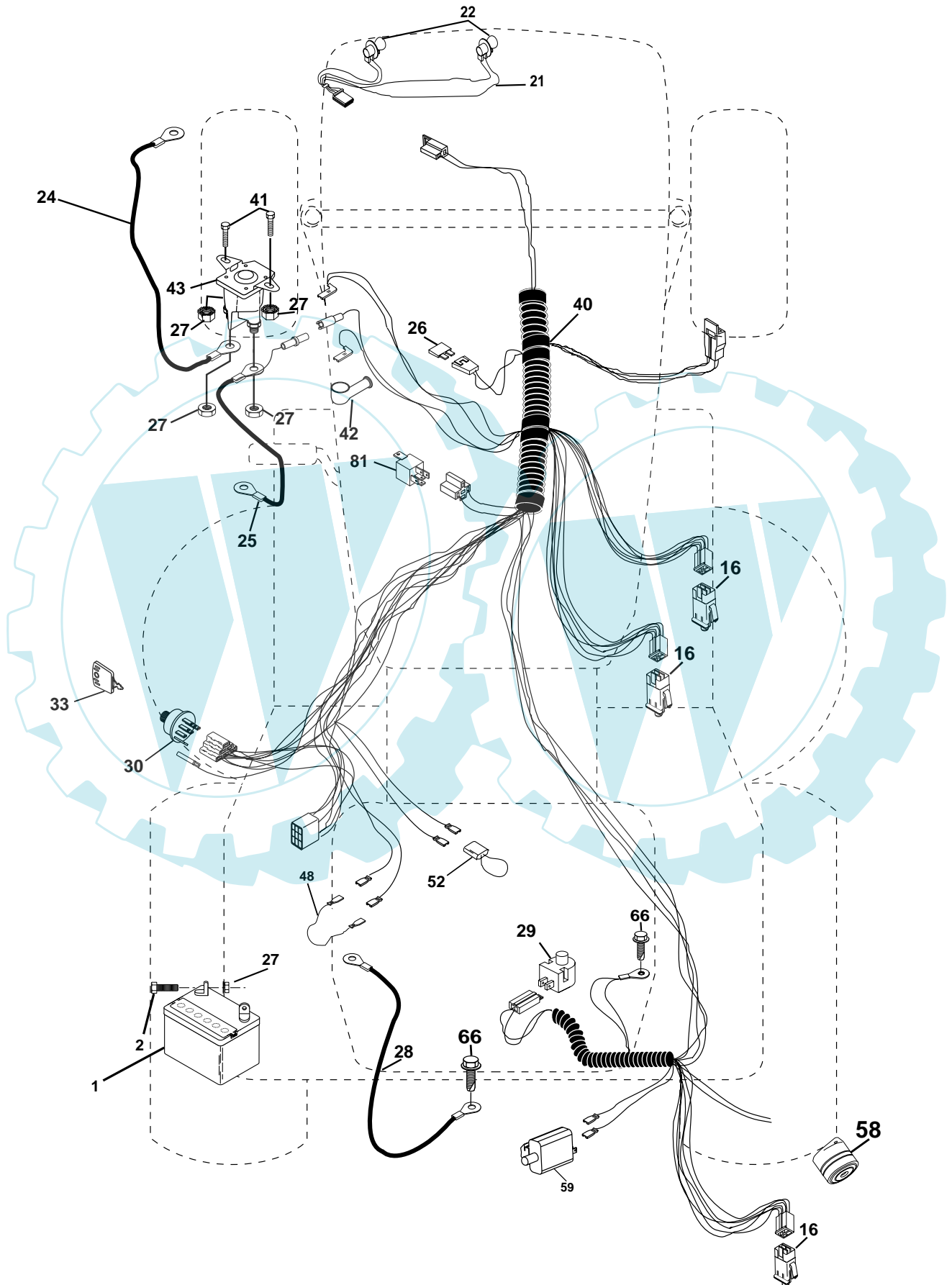
| POSITION | CIRCUIT |
|----------|---------------------|
| OFF | C + G, B + H |
| ON | C + F, B + E, A + D |

NOTE
YOUR TRACTOR IS EQUIPPED WITH A SPECIAL ALTERNATOR SYSTEM. THE LIGHTS ARE NOT CONNECTED TO THE BATTERY, BUT HAVE THEIR OWN ELECTRICAL SOURCE. BECAUSE OF THIS, THE BRIGHTNESS OF THE LIGHTS WILL CHANGE WITH ENGINE SPEED. AT IDLE THE LIGHTS WILL DIM. AS THE ENGINE IS SPEEDED UP, THE LIGHTS WILL BECOME THEIR BRIGHTEST.



REPAIR PARTS

TRACTOR- -MODEL NO. CRDH155-42 (YP155H107RBA), PRODUCT 964 79 35-00
ELECTRICAL



REPAIR PARTS

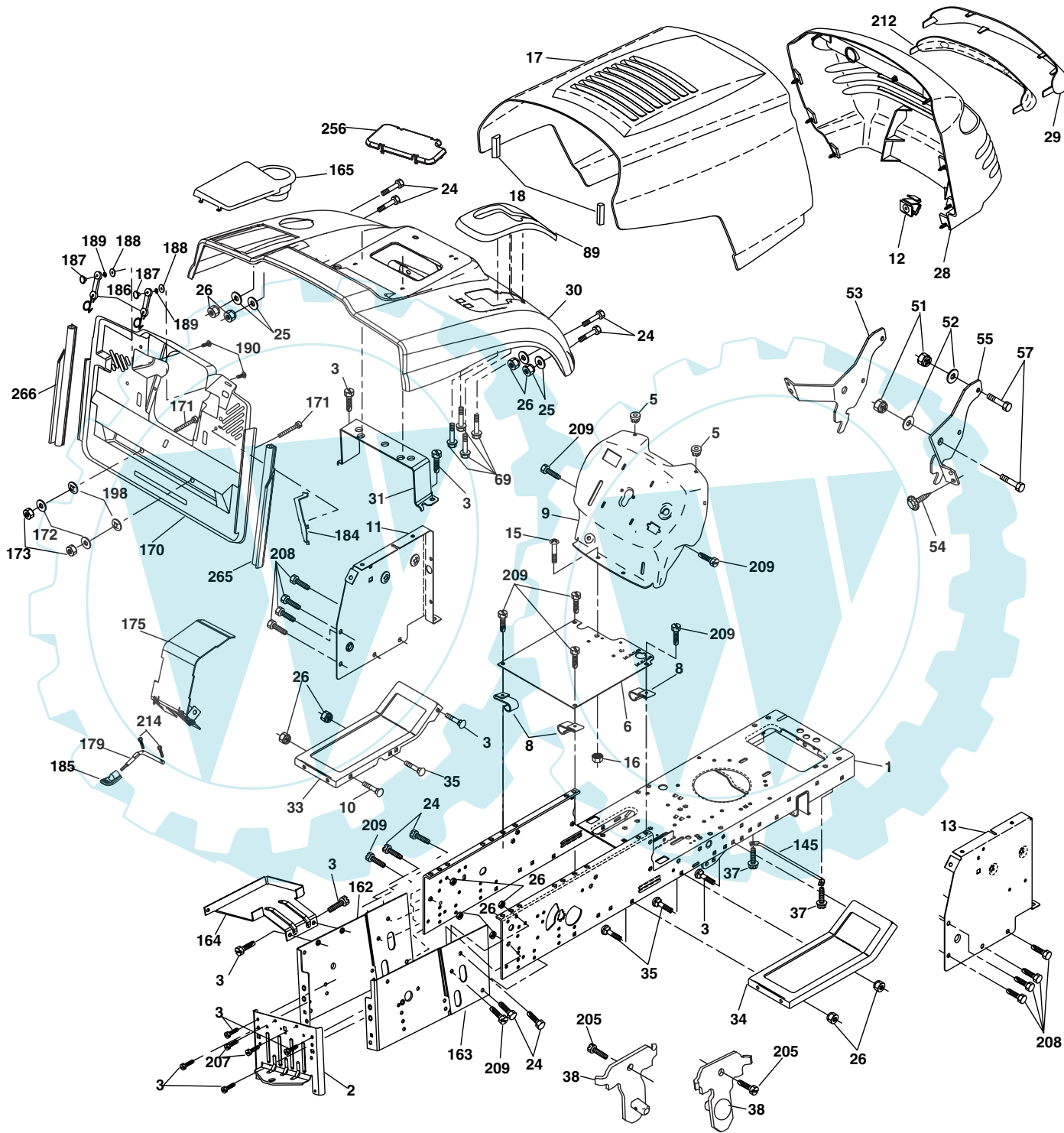
TRACTOR- -MODEL NO. CRDH155-42 (YP155H107RBA), PRODUCT 964 79 35-00
ELECTRICAL

| KEY NO. | PART NO. | DESCRIPTION |
|---------|--------------|-----------------------------------|
| 1 | 532 16 34-65 | Battery |
| 2 | 874 76 04-12 | Bolt Hex Hd 1/4-20 Unc X 3/4 |
| 16 | 532 17 61-38 | Switch Interlock |
| 21 | 532 17 56-85 | Harness Asm Light W/4152J |
| 22 | 532 00 41-52 | Bulb Light #1156 |
| 24 | 532 12 47-80 | Cable Starter 6Ga 11" Red |
| 25 | 532 16 59-87 | Cable Battery Crd 56" Red |
| 26 | 532 17 51-58 | Fuse |
| 27 | 873 51 04-00 | Nut Keps Hex 1/4-20 Unc |
| 28 | 532 12 77-25 | Cable Ground 6Ga 18" Black |
| 29 | 532 16 07-84 | Switch Plunger Normal Op Olive |
| 30 | 532 17 55-66 | Switch Ignition |
| 33 | 532 14 04-01 | Key Ign Molded Indak |
| 40 | 532 17 97-28 | Harness Ign |
| 41 | 871 11 04-08 | Bolt Flk Fin Hex 1/4-20 Unc X 1/2 |
| 42 | 532 13 15-63 | Cover Terminal Red |
| 43 | 532 17 88-61 | Solenoid |
| 48 | 532 14 08-44 | Adapter Ammeter Rectangular |
| 52 | 532 14 19-40 | Protection Wire Loop |
| 58 | 532 16 94-19 | Buzzer Crd |
| 59 | 532 18 03-79 | Switch FBI CRD |
| 66 | 817 49 06-08 | Screw Thdrol 3/8-16 x 1/2 Ty-Tt |
| 81 | 532 10 97-48 | Relay Asm |

NOTE: All component dimensions given in U.S. inches.
1 inch = 25.4 mm.

REPAIR PARTS

TRACTOR- -MODEL NO. CRDH155-42 (YP155H107RBA), PRODUCT 964 79 35-00
CHASSIS AND ENCLOSURES



REPAIR PARTS

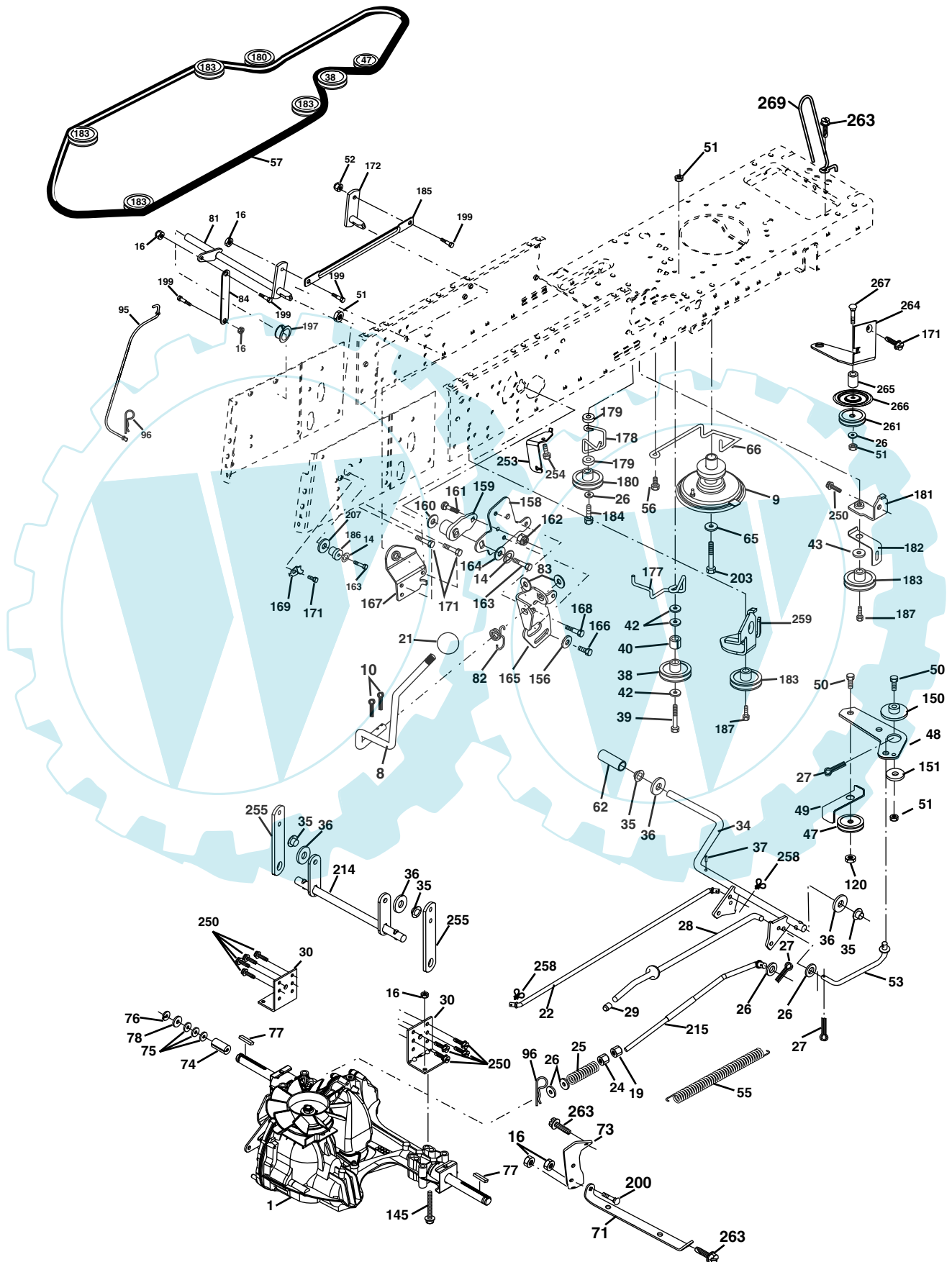
TRACTOR- -MODEL NO. CRDH155-42 (YP155H107RBA), PRODUCT 964 79 35-00 CHASSIS AND ENCLOSURES

| KEY NO. | PART NO. | DESCRIPTION | KEY NO. | PART NO. | DESCRIPTION |
|---------|--------------|--|---------|--------------|-----------------------------------|
| 1 | 532 17 46-20 | Chassis | 69 | 532 14 24-32 | Screw Hex 1/4-1/2 |
| 2 | 532 18 03-84 | Drawbar | 89 | 532 18 13-60 | Console |
| 3 | 817 06 06-12 | Screw 3/8-16 x .75 | 145 | 532 15 65-24 | Rod Pivot Chassis/Hood |
| 5 | 532 15 52-72 | Bumper Hood/Dash | 162 | 532 18 03-82 | Bracket Exten Chassis Lh CRD |
| 6 | 532 18 44-19 | Saddle | 163 | 532 18 03-83 | Bracket Exten Chassis Rh CRD |
| 8 | 532 12 64-71 | Clip Insulator 13/32 Mtg. Hole | 164 | 532 16 56-05 | Support Battery CRD |
| 9 | 532 18 54-80 | Dash | 165 | 532 18 13-56 | Cover Battery CRD Lt |
| 10 | 872 14 06-08 | Bolt, Carriage 3/8-16 x 3/4 | 170 | 532 17 88-62 | Backplate Asm CRD |
| 11 | 532 17 49-96 | Panel, Dash, L.H. | 171 | 872 14 06-20 | Bolt Rdhd Sqnk 3/8-16 x 2-1/2 G5 |
| 12 | 532 14 56-60 | Clip Tinnerman | 172 | 819 13 20-16 | Washer 13/32 x 1-1/4 x 16 Ga. |
| 13 | 532 18 17-19 | Panel, Asm. Dash R.H. | 173 | 873 51 06-00 | Nut, Keps Hex 3/8-16 UNC |
| 15 | 874 18 05-12 | Screw, Machine, Truss Head 5/16-18 UNC x 3/4 | 175 | 532 18 03-10 | Trap Door CRD |
| 16 | 873 51 05-00 | Nut | 179 | 532 18 03-76 | Rod Pivot FBI CRD |
| 17 | 532 16 22-37 | Hood Assembly | 184 | 532 17 46-62 | Bracket Actuator Bagger CRD |
| 18 | 532 18 49-21 | Bumper Hood | 185 | 532 18 11-01 | Knob Rod |
| 24 | 874 78 06-16 | Bolt | 186 | 532 16 07-93 | Latch Asm Multch Bagger |
| 25 | 819 13 13-12 | Washer 13/32 x 13/16 x 12 Ga. | 187 | 532 12 50-04 | Nut Weld .327/.304 #10-24 |
| 26 | 873 80 06-00 | Nut | 188 | 819 06 12-16 | Washer #10 |
| 28 | 532 18 54-74 | Grille Lens Asm | 189 | 810 07 10-00 | Washer Lock #10 |
| 29 | 532 17 66-45 | Lens | 190 | 871 08 10-10 | Screw Pan Hd Phillips 10-24 x 5/8 |
| 30 | 532 17 96-45 | Fender | 198 | 532 16 89-37 | Nut Push |
| 31 | 532 16 51-56 | Bracket, Fender Support | 205 | 817 49 06-08 | Screw 3/8-16 x 1/2 |
| 33 | 532 18 67-34 | Footrest, L.H. | 207 | 817 06 05-08 | Screw 5/16-18 x 1/2 |
| 34 | 532 18 67-35 | Footrest, R.H. | 208 | 817 67 06-08 | Screw Thdrol 3/8-16 x 1/2 |
| 35 | 872 11 06-06 | Bolt | 209 | 817 00 06-12 | Screw Hex Wsh Thdrol 3/8-16 x 3/4 |
| 37 | 817 49 05-08 | Screw Thdrol 5/16-18 x 1/2 TYT | 212 | 532 15 62-29 | Insert Lens Reflective |
| 38 | 532 18 17-48 | Bracket Asm Pivot Mower Rear | 214 | 532 12 47-88 | Retainer Spring 1" |
| 51 | 873 80 04-00 | Nut Lock w/Insert 1/4-20 Unc | 256 | 532 18 13-61 | Cover Fender Rack CRD |
| 52 | 819 09 14-16 | Washer 9/32 x 7/8 x 16 Ga. | 265 | 532 18 57-04 | Seal Side RH Bagger |
| 53 | 532 14 46-97 | Bracket Grille LH | 266 | 532 18 57-03 | Seal Side LH Bagger |
| 54 | 532 16 14-64 | Screw Hex WsHd 8-18 x 7/8 | -- | 532 00 54-79 | Plug, Button |
| 55 | 532 14 46-96 | Bracket Grille RH | | | |
| 57 | 874 78 04-12 | Bolt Fin Hex 1/2-20 Unc x .75 | | | |

NOTE: All component dimensions given in U.S. inches.
1 inch = 25.4 mm.

REPAIR PARTS

TRACTOR- -MODEL NO. CRDH155-42 (YP155H107RBA), PRODUCT 964 79 35-00
DRIVE



REPAIR PARTS

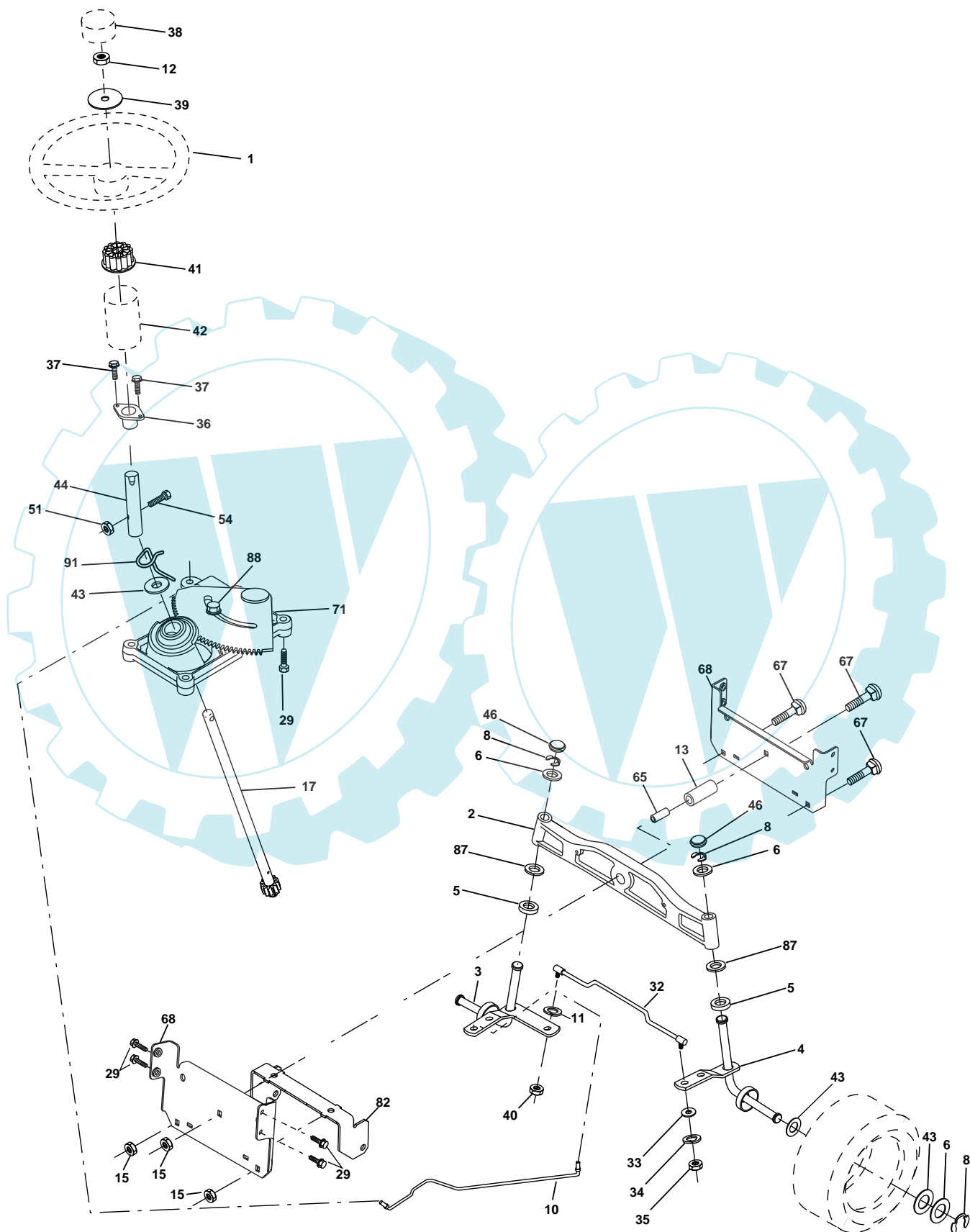
TRACTOR- -MODEL NO. CRDH155-42 (YP155H107RBA), PRODUCT 964 79 35-00 DRIVE

| KEY NO. | PART NO. | DESCRIPTION | KEY NO. | PART NO. | DESCRIPTION |
|---------|--------------|--|---------|--------------|------------------------------------|
| 1 | ----- | Transaxle Hydro Gear 321-0510 (Order parts from transaxle manufacturer) | 150 | 532 16 58-50 | Bushing, Bellcrank Grnd Dr |
| 8 | 532 16 56-19 | Rod, Shift Fender Adjust Lt | 151 | 819 13 32-10 | Washer 13/32 x 2 x 10 Ga. |
| 9 | 532 18 03-54 | Clutch Noram | 156 | 532 16 60-02 | Washer Srrted 5/16ID x 1.125 |
| 10 | 876 02 04-16 | Pin, Cotter 1/8 x 1 | 158 | 532 16 55-89 | Bracket Shift Mount |
| 14 | 810 04 04-00 | Washer, Lock Hvy Helical | 159 | 532 18 39-00 | Hub Tapered Flange Shift Lt |
| 16 | 873 80 05-00 | Nut, Lock Hex w/Ins 5/16-18 UNC | 160 | 819 29 20-16 | Washer 29/32 x 1-1/4 x 16 Ga. |
| 21 | 532 10 69-33 | Knob | 161 | 872 14 04-06 | Bolt Rdhd Sqnk 1/4-20 x 3/4 Gr 5 |
| 22 | 532 17 56-07 | Rod, Brake | 162 | 873 68 04-00 | Nut Crownlock 1/4-20 Unc |
| 24 | 873 35 06-00 | Nut | 163 | 874 78 04-16 | Bolt Hex Fin 1/4-20 Unc x 1 Gr 5 |
| 25 | 532 10 68-88 | Spring, Rod, Brake | 164 | 819 09 10-10 | Washer 5/8 x .281 x 10 Ga. |
| 26 | 819 13 13-16 | Washer 13/32 x 13/16 x 16 Ga. | 165 | 532 16 56-23 | Bracket Pivot Lever |
| 27 | 876 02 04-12 | Pin, Cotter 1/8 x 3/4 | 166 | 532 16 68-80 | Screw 5/16-18 x 5/8 |
| 28 | 532 17 57-65 | Rod, Parking Brake | 167 | 532 16 55-88 | Bracket Support Shift CRD |
| 29 | 532 07 16-73 | Cap, Parking Brake | 168 | 532 16 54-92 | Bolt Shoulder 5/16-18 x .561 |
| 30 | 532 16 95-92 | Bracket, Mfg. Transaxle | 169 | 532 16 55-80 | Plate Fastening Lt |
| 34 | 532 17 55-78 | Shaft, Asm Pedal Foot CRD | 171 | 817 49 06-08 | Screw Thdrol 3/8-16 x 1/2 Ty-Tt |
| 35 | 532 12 01-83 | Bearing, Nylon | 172 | 532 17 02-71 | Shaft Asm Shifter Frt CRD |
| 36 | 819 21 16-16 | Washer 21/32 x 1 x 16 Ga. | 177 | 532 16 59-32 | Keeper Flat Idler 3.06" CRD |
| 37 | 532 12 49-63 | Pin, Roll 3/16 x 1" | 178 | 532 16 59-33 | Keeper Belt Idler 1.88" CRD |
| 38 | 532 16 59-36 | Pulley Flat Composite 3.06" | 179 | 532 12 09-58 | Washer Sintered |
| 39 | 874 76 06-44 | Bolt Fin Hex 3/8-16 Unc x 2-3/4 | 180 | 532 16 56-30 | Pulley, Idler, Flat 1.88"CRD |
| 40 | 532 12 49-65 | Spacer, Split 395 x 59 Bzp | 181 | 532 18 02-11 | Bracket Idler Ground Drive CRD |
| 42 | 819 13 13-12 | Washer 13/32 x 13/16 x 12 Ga. | 182 | 532 18 26-82 | Keeper Belt 2.5" Od V-Idler CRD |
| 43 | 819 11 10-12 | Washer 11/32 x 5/8 x 12 Ga. | 183 | 532 18 60-07 | Pulley V-Idler 2.50" Od CRD |
| 47 | 532 12 77-83 | Pulley, Idler, V Groove Plasic | 184 | 817 49 06-44 | Screw Hexwsh Thdrol 3/8-16 x 2-3/4 |
| 48 | 532 15 44-07 | Bellcrank Clutch Grnd Drv | 185 | 532 17 00-08 | Link Shift |
| 49 | 532 12 32-05 | Retainer, Belt Style Spring | 186 | 532 16 56-14 | Hub Tapered Round CRD |
| 50 | 872 11 06-12 | Bolt Carr Sh 3/8-16 x 1-1/2 Gr. 5 | 187 | 817 58 05-20 | Screw Thdrol 5/16-18 x 1.25 |
| 51 | 873 68 06-00 | Nut, Crownlock 3/8-16 UNC | 197 | 532 16 96-13 | Nyliner Snap-In 5/8 |
| 52 | 873 6805-00 | Nut Crownlock 5/16-18 | 199 | 532 16 96-12 | Bolt Shoulder 5/16-18 Unc |
| 53 | 532 10 57-10 | Link, Clutch 7.66 | 200 | 872 14 05-08 | Bolt RDHD SQNK 5/16-18 x 1 |
| 55 | 532 10 57-09 | Spring, Return, Clutch | 203 | 871 17 07-80 | Bolt Hex 7/16-20 x 5 |
| 56 | 817 06 06-20 | Screw 3/8-16 x 1-1/4 | 207 | 532 16 98-45 | Washer Nylon Rear |
| 57 | 532 17 01-40 | V-Belt Kev 112" 0650 CRD | 214 | 532 17 56-09 | Shaft Asm. Brake |
| 62 | 532 12 48-72 | Cover, Pedal | 215 | 532 17 56-52 | Rod Brake Hydro |
| 65 | 810 04 07-00 | Washer | 250 | 817 06 06-12 | Screw 3/8-16 x .75 |
| 66 | 532 15 47-78 | Keeper, Belt Engine F-Proof | 253 | 532 17 50-28 | Bracket Cable Chassis |
| 71 | 532 16 91-83 | Strap, Torque, Lh | 254 | 817 00 06-16 | Screw 3/8-16 x 1 |
| 73 | 532 16 91-82 | Strap, Torque, Rh | 255 | 532 17 56-08 | Brace Shaft Brake Mtg. |
| 74 | 532 13 70-57 | Spacer, Split | 258 | 532 17 80-62 | Clip Retainer |
| 75 | 532 12 17-49 | Washer 25/32 x 1-1/4 x 16 Ga. | 259 | 532 18 02-12 | Bracket Pulley |
| 76 | 812 00 00-01 | Ring, E | 261 | 532 13 14-94 | Pulley Idler |
| 77 | 532 12 35-83 | Key, Square | 263 | 817 00 06-12 | Screw Thdrol 3/8-16 x 3/4 |
| 78 | 532 12 17-48 | Washer 25/32 x 1-5/8 x 16 Ga. | 264 | 532 18 19-95 | Bracket Clutch Mounting |
| 81 | 532 17 00-06 | Asm, Shaft | 265 | 532 18 20-13 | Spacer Idler Chassis |
| 82 | 532 16 57-11 | Spring, Torsion | 266 | 532 18 20-61 | Shield Idler |
| 83 | 819 17 12-16 | Washer 17/32 x 3/4 x 16 Ga. | 267 | 872 14 06-26 | Bolt RDHD SQNK 3/8-16unc x 3-1/4 |
| 84 | 532 17 00-07 | Link, Transaxle | 269 | 532 18 24-02 | Guard Muffler Rh |
| 95 | 532 17 00-15 | Control Asm Bypass Hydro | | | |
| 96 | 532 12 47-88 | Spring, Retainer 1" | | | |
| 120 | 873 90 06-00 | Nut Lock Flg. 3/8-16 Unc | | | |
| 145 | 874 49 05-44 | Bolt Hex FGHD 5/16-18 x Gr 5 | | | |

NOTE: All component dimensions given in U.S. inches
1 inch = 25.4 mm

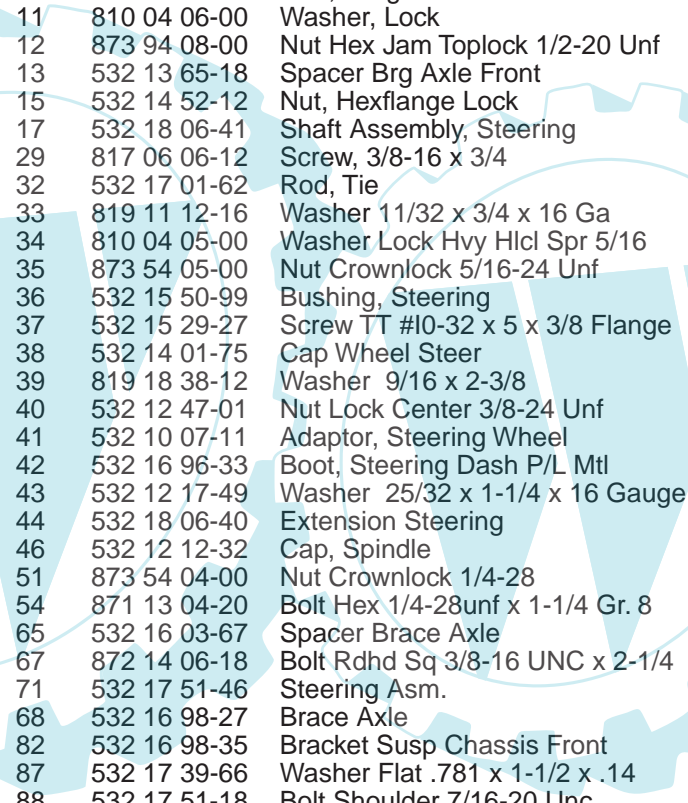
REPAIR PARTS

TRACTOR- -MODEL NO. CRDH155-42 (YP155H107RBA), PRODUCT 964 79 35-00
STEERING ASSEMBLY



REPAIR PARTS

TRACTOR- -MODEL NO. CRDH155-42 (YP155H107RBA), PRODUCT 964 79 35-00
STEERING ASSEMBLY

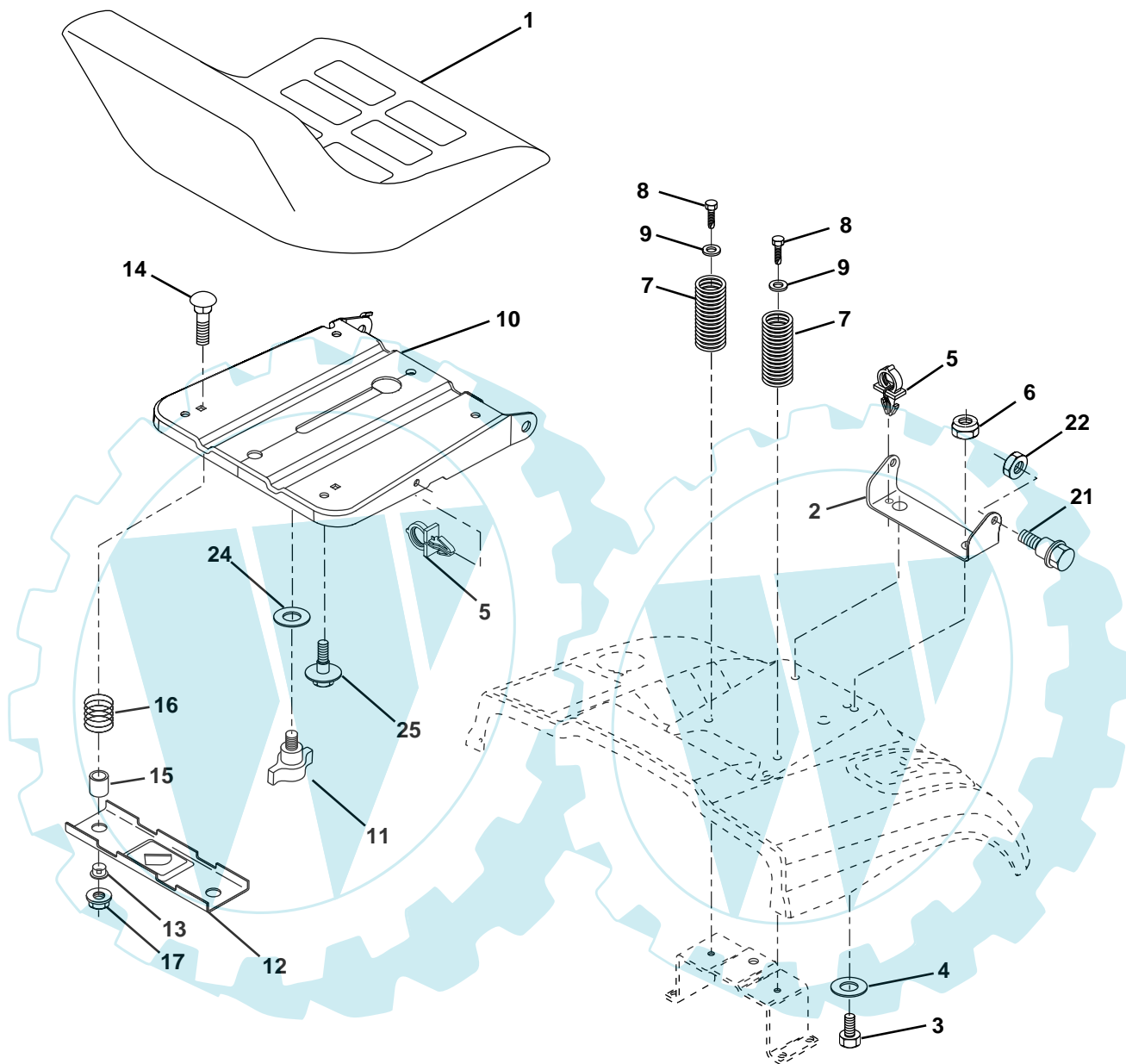


| KEY NO. | PART NO. | DESCRIPTION |
|---------|--------------|----------------------------------|
| 1 | 532 13 97-68 | Steering Wheel |
| 2 | 532 17 23-93 | Cast Iron Axle Assembly |
| 3 | 532 16 98-40 | Spindle Assembly, L.H. |
| 4 | 532 16 98-39 | Spindle Assembly, R.H. |
| 5 | 532 12 49-31 | Bearing, Race, Thrust, Hardened |
| 6 | 532 12 17-48 | Washer 25/32 x 1-5/8 x 16 Gauge |
| 8 | 812 00 00-29 | Ring, Klip |
| 10 | 532 17 51-21 | Link, Drag |
| 11 | 810 04 06-00 | Washer, Lock |
| 12 | 873 94 08-00 | Nut Hex Jam Toplock 1/2-20 Unf |
| 13 | 532 13 65-18 | Spacer Brg Axle Front |
| 15 | 532 14 52-12 | Nut, Hexflange Lock |
| 17 | 532 18 06-41 | Shaft Assembly, Steering |
| 29 | 817 06 06-12 | Screw, 3/8-16 x 3/4 |
| 32 | 532 17 01-62 | Rod, Tie |
| 33 | 819 11 12-16 | Washer 11/32 x 3/4 x 16 Ga |
| 34 | 810 04 05-00 | Washer Lock Hvy Hlcl Spr 5/16 |
| 35 | 873 54 05-00 | Nut Crownlock 5/16-24 Unf |
| 36 | 532 15 50-99 | Bushing, Steering |
| 37 | 532 15 29-27 | Screw TT #10-32 x 5 x 3/8 Flange |
| 38 | 532 14 01-75 | Cap Wheel Steer |
| 39 | 819 18 38-12 | Washer 9/16 x 2-3/8 |
| 40 | 532 12 47-01 | Nut Lock Center 3/8-24 Unf |
| 41 | 532 10 07-11 | Adaptor, Steering Wheel |
| 42 | 532 16 96-33 | Boot, Steering Dash P/L Mtl |
| 43 | 532 12 17-49 | Washer 25/32 x 1-1/4 x 16 Gauge |
| 44 | 532 18 06-40 | Extension Steering |
| 46 | 532 12 12-32 | Cap, Spindle |
| 51 | 873 54 04-00 | Nut Crownlock 1/4-28 |
| 54 | 871 13 04-20 | Bolt Hex 1/4-28unf x 1-1/4 Gr. 8 |
| 65 | 532 16 03-67 | Spacer Brace Axle |
| 67 | 872 14 06-18 | Bolt Rdhd Sq 3/8-16 UNC x 2-1/4 |
| 71 | 532 17 51-46 | Steering Asm. |
| 68 | 532 16 98-27 | Brace Axle |
| 82 | 532 16 98-35 | Bracket Susp Chassis Front |
| 87 | 532 17 39-66 | Washer Flat .781 x 1-1/2 x .14 |
| 88 | 532 17 51-18 | Bolt Shoulder 7/16-20 Unc |
| 91 | 532 17 55-53 | Clip Steering |

NOTE: All component dimensions given in U.S. inches.
1 inch = 25.4 mm.

REPAIR PARTS

TRACTOR- -MODEL NO. CRDH155-42 (YP155H107RBA), PRODUCT 964 79 35-00
SEAT ASSEMBLY



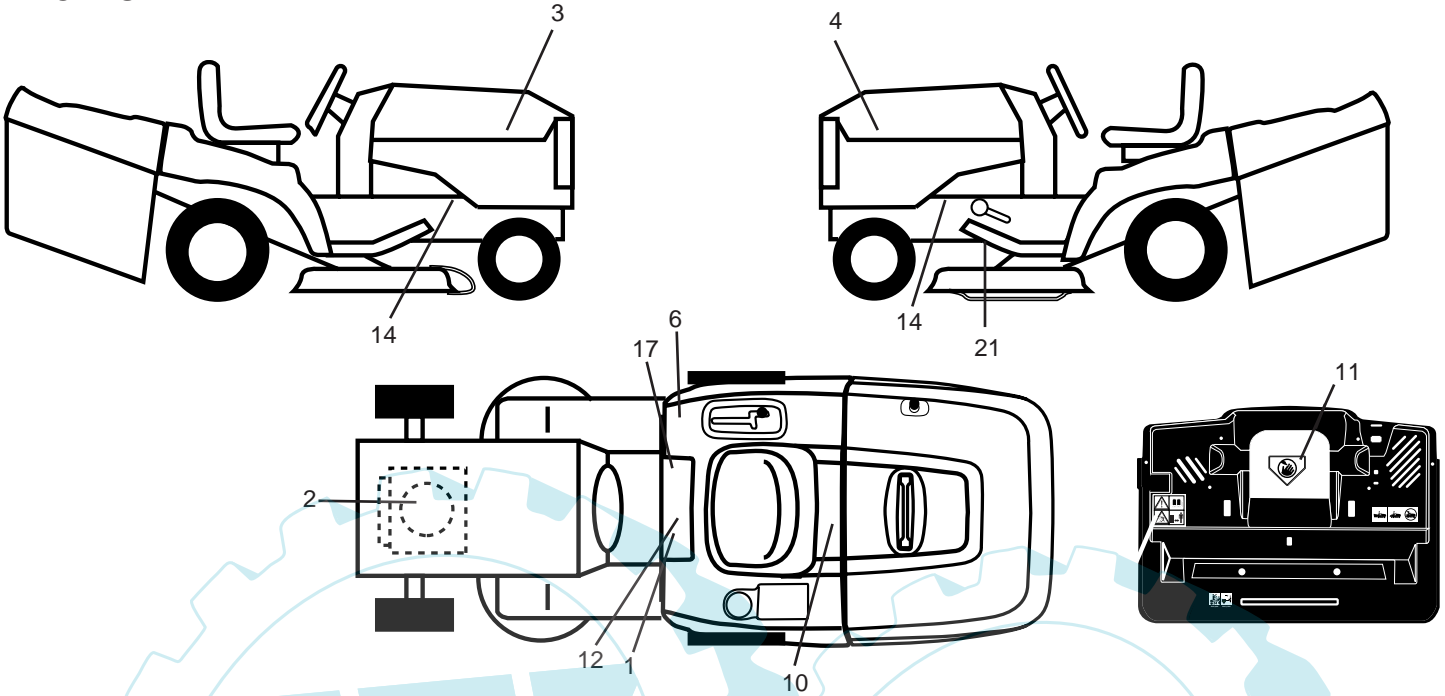
| KEY NO. | PART NO. | DESCRIPTION |
|---------|--------------|--------------------------------|
| 1 | 532 14 01-18 | Seat |
| 2 | 532 14 05-51 | Bracket Pnt Pivot Seat (blk) |
| 3 | 871 11 06-16 | Bolt Fin Hex 3/8-16 Unc x 1 |
| 4 | 819 13 16-10 | Washer Flat 13/32 x 1 x 10 Ga. |
| 5 | 532 14 50-06 | Clip Push In Hinged |
| 6 | 873 80 06-00 | Nut Lock Hex 3/8-16 Unc |
| 7 | 532 12 41-81 | Spring Seat Cprsn 2 250 Blk Zi |
| 8 | 817 00 06-16 | Screw 3/8-16 X 1-1/2 |
| 9 | 819 13 16-14 | Washer 13/32 X 1 X 14 Ga |
| 10 | 532 18 24-93 | Pan Pnt Seat (blk) |
| 11 | 532 16 63-69 | Knob Seat Adj Wingnut |
| 12 | 532 12 12-46 | Bracket Pnt Mounting Switch |

| KEY NO. | PART NO. | DESCRIPTION |
|---------|--------------|--------------------------------|
| 13 | 532 12 12-48 | Bushing Snap Blk Nyl 50 Id |
| 14 | 872 05 04-12 | Bolt Rdhd Sht Nk 1/4-20x1-1/2 |
| 15 | 532 12 12-49 | Spacer Split |
| 16 | 532 12 37-40 | Spring Cprsn Plate SW 1.310 Ga |
| 17 | 532 12 39-76 | Nut Lock 1/4 Lge Flg Gr 5 Zinc |
| 21 | 532 17 18-52 | Bolt Shoulder 5/16-18 Unc-2A |
| 22 | 873 80 05-00 | Nut Hex Lock w/Ins 5/16-18 |
| 24 | 819 17 19-12 | Washer 17/32 X 1-3/16 X 12 Ga. |
| 25 | 532 12 70-18 | Bolt Shoulder 5/16-18 X 62 |

NOTE: All component dimensions given in U.S. inches.
1 inch = 25.4 mm

REPAIR PARTS

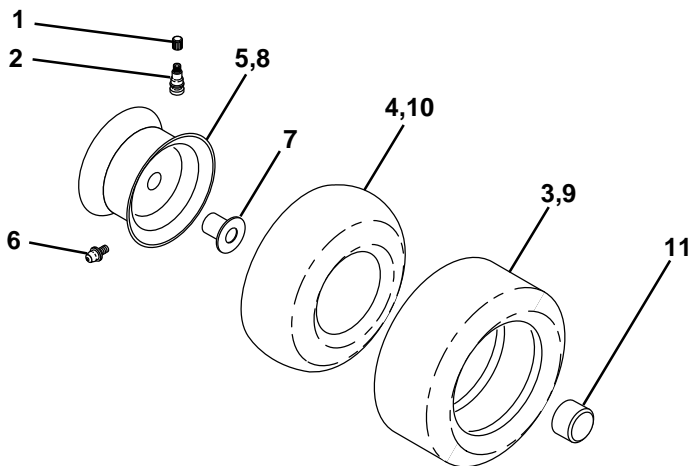
TRACTOR- -MODEL NO. CRDH155-42 (YP155H107RBA), PRODUCT 964 79 35-00
DECALS



| KEY NO. | PART NO. | DESCRIPTION |
|---------|--------------|-------------------------------|
| 1 | 532 14 54-98 | Decal Read Owner's Manual Sym |
| 2 | 532 18 04-34 | Decal Hp Engine |
| 3 | 532 18 59-45 | Decal Hood RH |
| 4 | 532 18 59-46 | Decal Hood LH |
| 6 | 532 18 04-32 | Decal 100 DBA |
| 10 | 532 14 50-05 | Decal Bat Dan/Poi P/L Sym Wpn |
| 11 | 532 18 21-66 | Decal Mower Cut Finger Symbol |
| 12 | 532 15 97-37 | Decal Brake/Clutch Symbol Lt |
| 14 | 532 15 97-36 | Decal Chassis Hot Muffler |

| KEY NO. | PART NO. | DESCRIPTION |
|---------|--------------|----------------------------|
| 17 | 532 14 08-37 | Decal Saddle Brake Parking |
| 21 | 532 16 62-86 | Decal Hex Belt Sch |
| — | 532 16 69-60 | Decal Bypass Fender CRD |
| — | 532 13 83-11 | Decal Lift Handle |
| — | 532 18 10-90 | Pad Footrest RH |
| — | 532 18 01-91 | Pad Footrest LH |
| — | 532 18 04-35 | Decal Rear Plate |
| — | 532 18 26-21 | Decal Bagger Frame Asy |
| — | 532 18 52-06 | Manual Operator's (Euro) |
| — | 532 18 52-29 | Manual Operator's (Scan) |

WHEELS & TIRES

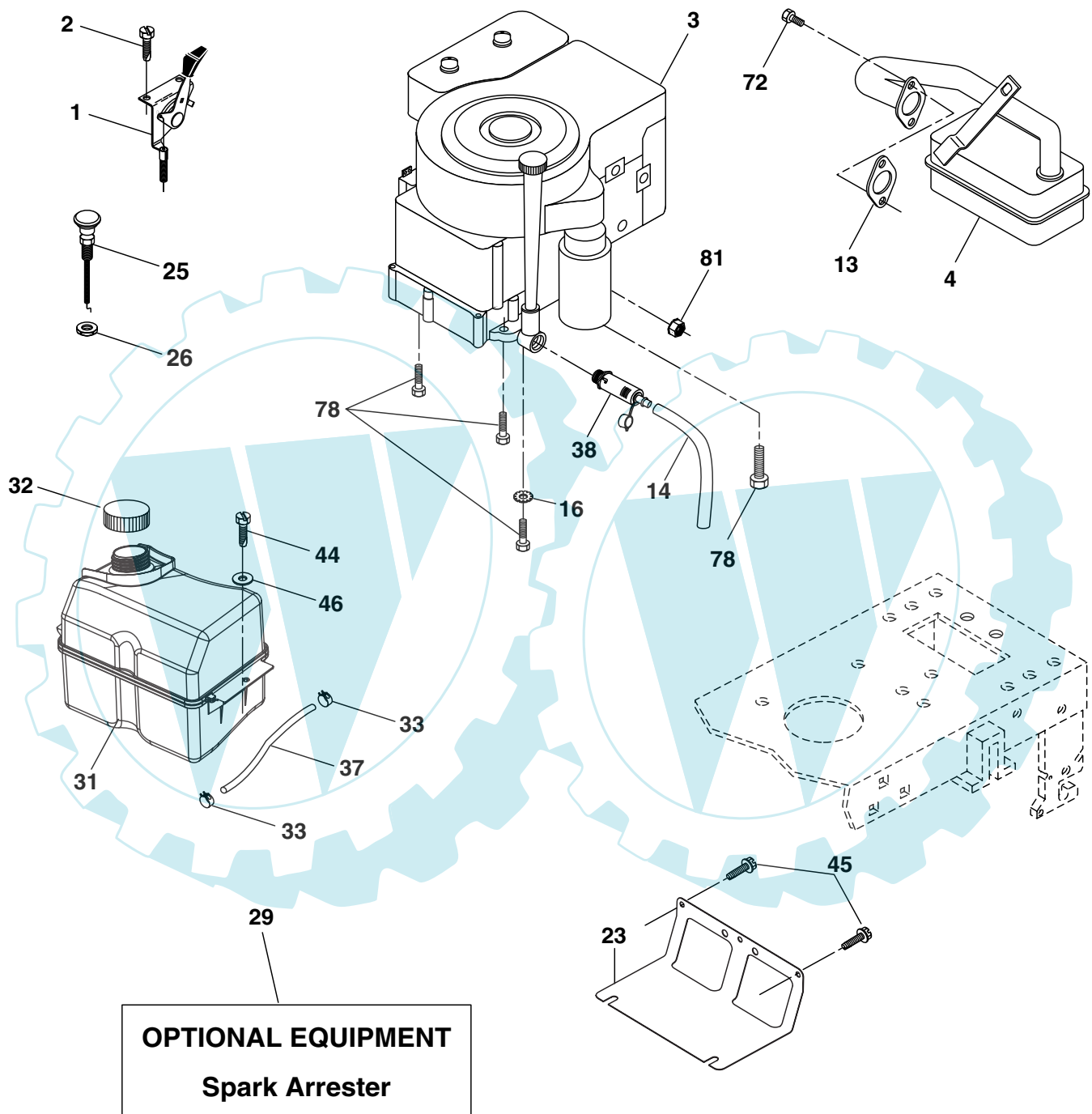


| KEY NO. | PART NO. | DESCRIPTION |
|---------|--------------|--------------------------------|
| 1 | 532 05 91-92 | Cap Value Tire |
| 2 | 532 06 51-39 | Stem Value |
| 3 | 532 10 62-22 | Tire F Ts 15 X 6 0 - 6 Service |
| 4 | 532 05 99-04 | Tube Inner Front #35060 |
| 5 | 532 18 33-37 | Rim Asm 6"front Service |
| 6 | 532 12 49-57 | Fitting Grease |
| 7 | 532 12 49-59 | Bearing Flange |
| 8 | 532 18 33-38 | Rim Asm 8"rear Service |
| 9 | 532 13 84-68 | Tire R Ts 20 x 8-8 Service |
| 10 | 532 12 49-26 | Tube Rear 9 5 X 8 Service |
| 11 | 532 17 50-39 | Cap Axle Blk 1 50 X 1 00 |
| -- | 532 14 43-34 | Sealant, Tire (10 oz. tube) |

NOTE: All component dimensions given in U.S. inches
1 inch = 25.4 mm

REPAIR PARTS

TRACTOR- -MODEL NO. CRDH155-42 (YP155H107RBA), PRODUCT 964 79 35-00
ENGINE



REPAIR PARTS

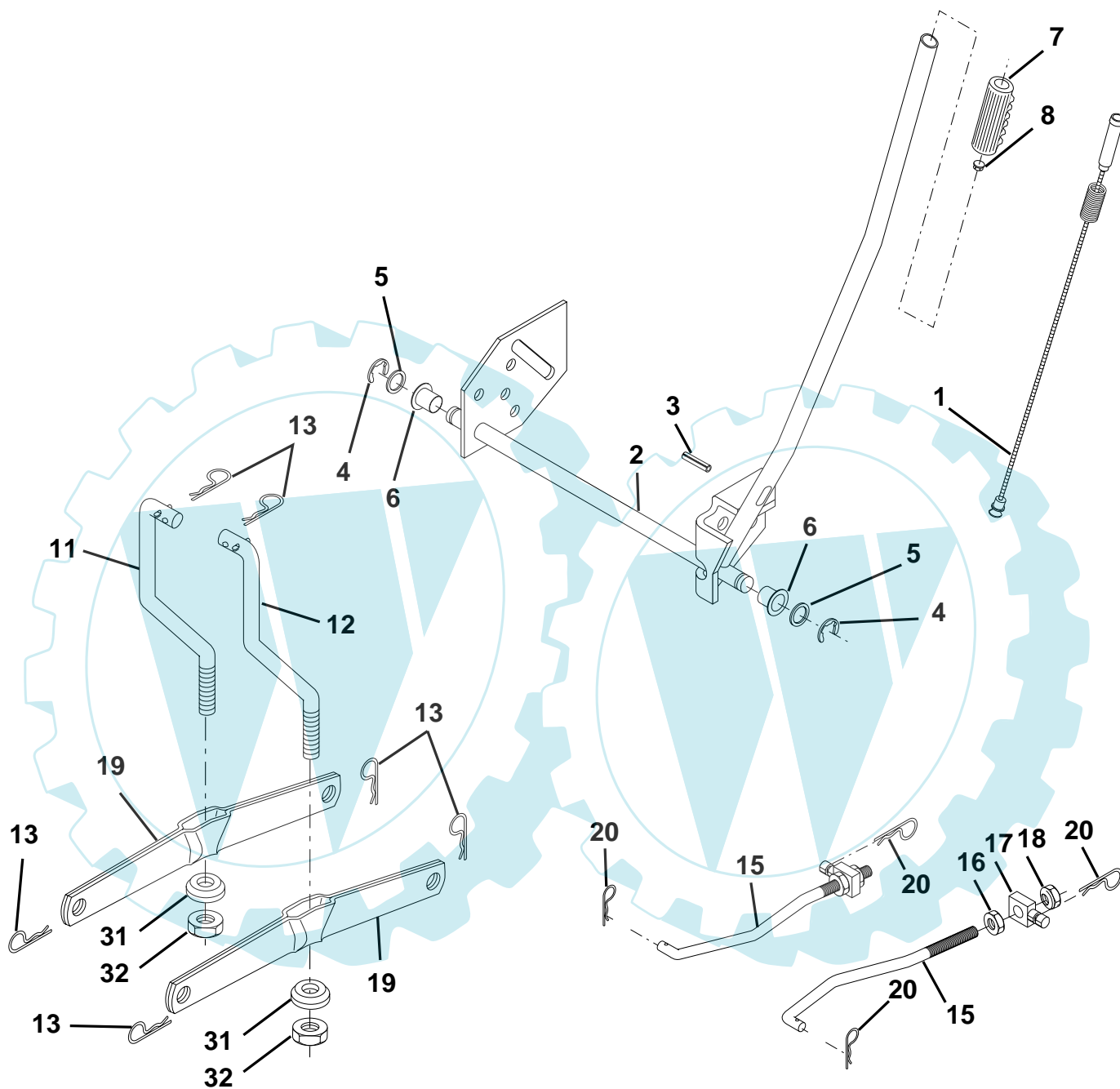
TRACTOR- -MODEL NO. CRDH155-42 (YP155H107RBA), PRODUCT 964 79 35-00
ENGINE

| KEY NO. | PART NO. | DESCRIPTION |
|---------|--------------|---|
| 1 | 532 17 05-51 | Control Throt Flag |
| 2 | 817 72 04-08 | Screw Hex Thd Cut 1/4-20x1/2 |
| 3 | ----- | Engine B&S Model 31G777 (Order Parts from Engine Manufacturer) |
| 4 | 532 13 73-52 | Muffler Exhaust |
| 13 | 532 16 52-91 | Gasket Muffler |
| 14 | 532 14 84-56 | Tube Drain Oil Easy |
| 16 | 811 05 06-00 | Washer Lock Ext Tooth 3/8 |
| 23 | 532 16 98-37 | Shield BRN/DBR Guard |
| 25 | 532 18 09-45 | Control Choke |
| 26 | 873 92 06-00 | Nut Keps 3/8-24 Unf |
| 29 | 532 13 71-80 | Arrestor Spark |
| 31 | 532 18 55-34 | Tank Fuel Front 2.00 Gal. |
| 32 | 532 14 05-27 | Cap Fuel Asm Top Vent |
| 33 | 532 12 34-87 | Clamp Hose Blk |
| 37 | 532 13 70-40 | Line Fuel |
| 38 | 532 18 16-54 | Plug Drain Oil Easy |
| 44 | 817 67 04-12 | Screw Hexwsh Thdrol 1/4-20 x 3/4 |
| 45 | 817 00 06-12 | Screw 3/8-16 x 3/4 |
| 46 | 819 09 14-16 | Washer 9/32 X 7/8 X 16ga |
| 72 | 532 18 39-06 | Screw Socket Head 5/16-18 x 1 |
| 78 | 817 06 06-20 | Screw 3/8-16 x 1-1/4 |
| 81 | 873 51 04-00 | Nut Keps 1/4-20 UNC |

NOTE: All component dimensions given in U.S. inches
1 inch = 25.4 mm

REPAIR PARTS

TRACTOR- -MODEL NO. CRDH155-42 (YP155H107RBA), PRODUCT 964 79 35-00
MOWER LIFT



REPAIR PARTS

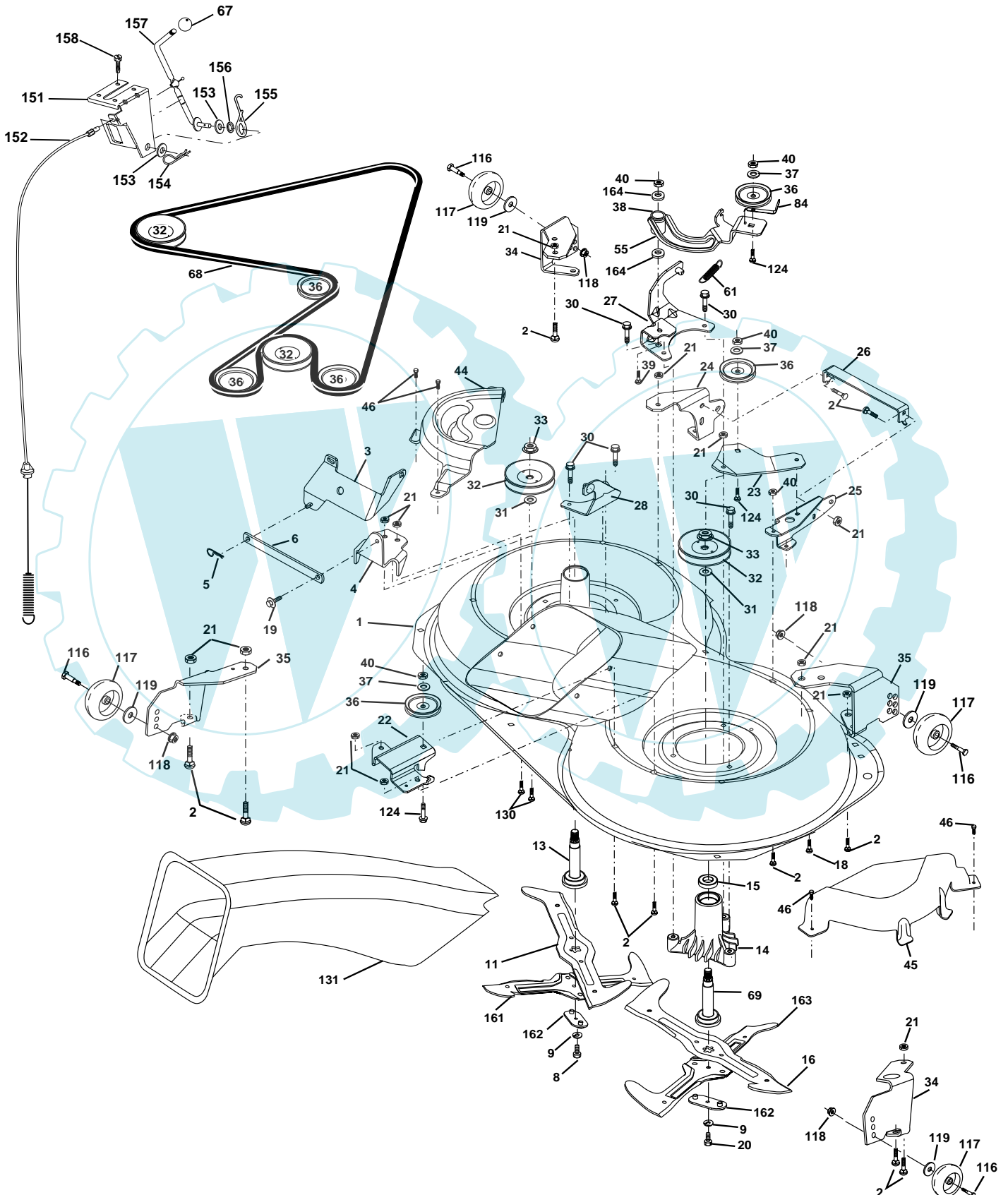
TRACTOR- -MODEL NO. CRDH155-42 (YP155H107RBA), PRODUCT 964 79 35-00
MOWER LIFT

| KEY NO. | PART NO. | DESCRIPTION |
|---------|--------------|-----------------------------------|
| 1 | 532 15 94-60 | Washer Asm Inner Spring W/Plunger |
| 2 | 532 15 94-71 | Shaft Asm. Lift |
| 3 | 532 10 57-67 | Pin Groove |
| 4 | 812 00 00-02 | E Ring #5133-62 |
| 5 | 819 21 16-21 | Washer 21/32 x 1 x 21 Ga. |
| 6 | 532 12 01-83 | Bearing Nylong |
| 7 | 532 10 94-13 | Grip Handle Bicycle |
| 8 | 532 12 45-26 | Button Plunger Black |
| 11 | 532 16 58-29 | Link Asm Lift L.H. |
| 12 | 532 16 58-31 | Link Asm Lift R.H. |
| 13 | 532 12 46-70 | Retainer Spring |
| 15 | 532 17 32-88 | Link Front |
| 16 | 873 35 08-00 | Nut Jam Hex 1/2-13 Unc |
| 17 | 532 17 56-89 | Trunnion |
| 18 | 873 80 08-00 | Nut Lock w/Wsh 1/2-13 Unc |
| 19 | 532 13 98-68 | Arm Suspension Mower |
| 20 | 532 16 35-52 | Retainer Spring |
| 31 | 532 16 98-65 | Bearing, Pvt. Lift |
| 32 | 873 54 06-00 | Nut Crownlock 3/8-24 |

NOTE: All component dimensions given in U.S. inches
1 inch = 25.4 mm

REPAIR PARTS

TRACTOR- -MODEL NO. CRDH155-42 (YP155H107RBA), PRODUCT 964 79 35-00
MOWER



REPAIR PARTS

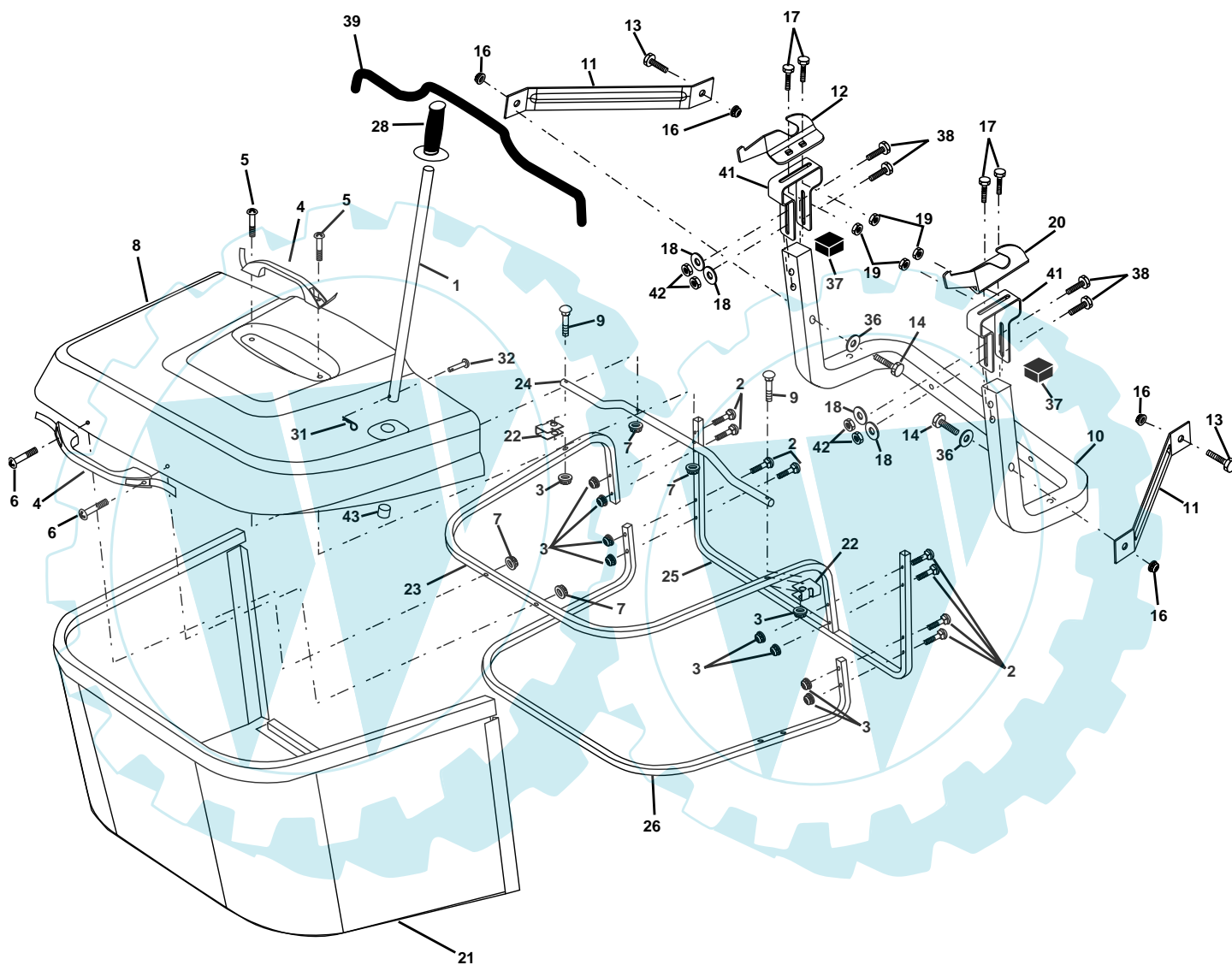
TRACTOR- -MODEL NO. CRDH155-42 (YP155H107RBA), PRODUCT 964 79 35-00
MOWER

| KEY NO. | PART NO. | DESCRIPTION | KEY NO. | PART NO. | DESCRIPTION |
|---------|--------------|-----------------------------------|---------|--------------|---------------------------------|
| 1 | 532 16 91-60 | Housing Asm. Mower | 44 | 532 17 55-38 | Cover Mandrel Lh |
| 2 | 872 14 05-06 | Bolt Rdhd Sqnk 5/16-18 Unc x 3/4 | 45 | 532 17 55-39 | Cover Mandrel Rh |
| 3 | 532 16 55-69 | Bracket Asm. S-Bar Chass | 46 | 532 13 77-29 | Screw Thd Roll 1/4-20 x 5/8 |
| 4 | 532 16 91-67 | Bracket Bar Sway Deck | 55 | 532 16 98-49 | Arm Idler 107 CRD |
| 5 | 532 12 46-70 | Retainer Spring | 61 | 532 17 51-59 | Spring Tension Belt |
| 6 | 532 16 55-57 | Bar Sway | 67 | 532 10 69-32 | Knob Rd 3/8-16 Plstc Thds Blk |
| 8 | 532 18 17-12 | Bolt 3/8-24 x 1.25 Gr8 Patched | 68 | 532 16 91-78 | Hex-Belt Mower |
| 9 | 810 03 06-00 | Washer Lock Hvy 3/8 Unplated | 69 | 532 16 54-82 | Shaft Asm W/Lwr Brg Rh Thd CRD |
| 11 | 532 18 05-83 | Blade 3-1 Lh | | | |
| 13 | 532 13 76-45 | Shaft Asm. W/Lower Bearing | 84 | 532 15 60-85 | Keeper Belt Idler |
| 14 | 532 12 87-74 | Housing Mandrel Vented (Machd) | 116 | 532 18 42-19 | Bolt Shoulder |
| 15 | 532 11 04-85 | Bearing Ball Mandrel | 117 | 532 13 39-57 | Wheel Gage Donut Wide |
| 16 | 532 18 05-84 | Blade 3-1 Rh | 118 | 873 93 06-00 | Nut Centerlock 3/8-16 Unc |
| 18 | 872 11 06-06 | Bolt RDHD Sht Sqnk 3/8-16 x 3/4 | 119 | 819 12 14-14 | Washer 3/8 x 7/8 x 14 Ga. |
| 19 | 532 13 28-27 | Bolt Shoulder 5/16-18 Thd Form | 124 | 872 11 06-12 | Bolt Carr Sh 3/8-16 x 1-1/2 Gr5 |
| 20 | 532 18 17-13 | Bolt 3/8-24 x 1.25 Gr8 Ptch Lhthd | 130 | 872 11 05-06 | Bolt Rdhdsqnk 5/16-18 Unc x 3/4 |
| 21 | 873 68 05-00 | Nut Crown Lock 5/16-18 | 131 | 532 16 56-61 | Chute Bagger CRD 92cm |
| 22 | 532 16 91-65 | Bracket Idler RR | 151 | 532 16 96-70 | Bracket Clutch Cable |
| 23 | 532 16 91-66 | Bracket Idler RF | 152 | 532 17 60-74 | Cable Clutch CRD Service |
| 24 | 532 16 91-70 | Bracket Suspension LF | 153 | 532 16 96-74 | Washer Flat 3/8" Type B |
| 25 | 532 16 91-71 | Bracket Suspension RF | 154 | 532 16 96-75 | Spring Retainer |
| 26 | 532 16 52-37 | Brace Support Susp Frt CRD | 155 | 532 16 96-71 | Spring Retainer Lvr Cltch Cab |
| 27 | 532 16 91-72 | Bracket Asm. Susp RR | 156 | 532 16 96-72 | Spacer Clutch Cable |
| 28 | 532 16 91-68 | Bracket Asm. Susp LR | 157 | 532 16 96-69 | Rod Clutch Cable 3/8" |
| 30 | 532 17 39-84 | Screw Thd Rolling | 158 | 817 72 04-08 | Screw Hex Thdcut 1/4-20 x 1/2 |
| 31 | 532 12 99-63 | Washer Spacer Mower Vented | 161 | 532 18 04-24 | Blade Cross LH |
| 32 | 532 17 57-07 | Mandrel Pulleys | 162 | 532 18 08-78 | Adapter Weldment Blade |
| 33 | 532 17 83-42 | Nut Flg Top Lock | 163 | 532 18 04-25 | Blade Cross RH |
| 34 | 532 17 95-09 | Bracket Gauge Wheel Lf | 164 | 532 12 49-37 | Bearing Col. Strg. |
| 35 | 532 17 62-92 | Bracket Gauge Wheel Rf | -- | 532 18 18-57 | Mandrel Asm Service |
| 36 | 532 14 67-63 | Pulley Idler V-Groove Dim 4.25 | -- | 532 18 18-58 | Mandrel Asm CRD Lh Threads SVC |
| 37 | 819 13 13-16 | Washer 11/32 x 13/16 x 16 Ga | | | |
| 38 | 532 16 98-51 | Spacer Hub | -- | 532 18 17-70 | Deck Mower Complete |
| 39 | 872 11 06-22 | Bolt Rdhd 3/8-16unc x 2-3/4 Gr. 5 | | | |
| 40 | 873 68 06-00 | Nut Crownlock 3/8-16 Unc | | | |

NOTE: All component dimensions given in U.S. inches
1 inch = 25.4 mm

REPAIR PARTS

TRACTOR- -MODEL NO. CRDH155-42 (YP155H107RBA), PRODUCT 964 79 35-00
BAGGER



REPAIR PARTS

TRACTOR- -MODEL NO. CRDH155-42 (YP155H107RBA), PRODUCT 964 79 35-00
BAGGER

| KEY NO. | PART NO. | DESCRIPTION |
|---------|--------------|-------------------------------------|
| 1 | 532 16 52-49 | Tube Handle Bagger CRD |
| 2 | 872 14 04-16 | Bolt Carriage 1/4-20 X 2.0 Gr.5 |
| 3 | 532 12 39-76 | Nut Lock 1/4 Lge Flg Gr. 5 Zinc |
| 4 | 532 16 99-16 | Handle Bagger w/Lvrs Gr. 5 Zinc |
| 5 | 874 98 10-24 | Screw Pan Head #10-24 X 1.50 BLK |
| 6 | 874 98 10-32 | Screw Pan Hd |
| 7 | 873 40 10-00 | Nut Wiz Lock Hex Serr/Hd #10-24 |
| 8 | 532 18 10-95 | Cover Bagger |
| 9 | 872 14 04-18 | Bolt Carriage 1/4-20 x 2.25d x Gr.5 |
| 10 | 532 18 12-82 | Tube Support Bagger CRD |
| 11 | 532 16 57-19 | Bracket Support Upper Bag CRD |
| 12 | 532 16 96-85 | Bracket Horiz. Adj Bagger |
| 13 | 872 11 06-06 | Bolt Rdhd Sht Sqnk 3/8-16 X 3/4 |
| 14 | 874 52 06-36 | Bolt Hex 3/8-16 X 2-1/4 Gr. 5 |
| 16 | 873 90 06-00 | Nut Lock Flg 3/8-16 Unc |
| 17 | 872 14 05-06 | Bolt Rdhd Sht Sqnk 5/16-18Unc X 3/4 |
| 18 | 819 11 12-16 | Washer 11/32 x 3/4 x 16 |
| 19 | 873 90 05-00 | Nut Lock Hex Flange 5/16-18 |
| 20 | 532 16 96-84 | Bracket Horiz Adj Bagger |
| 21 | 532 18 08-80 | Bag Asm CRD |
| 22 | 532 16 57-81 | Bracket Side Bagger CRD |
| 23 | 532 16 57-82 | Tube Upper Bagger CRD |
| 24 | 532 16 57-83 | Tube Pivot Bagger CRD |
| 25 | 532 18 01-24 | Tube Front Bagger CRD |
| 26 | 532 16 57-85 | Tube Lower Bagger CRD |
| 28 | 532 16 57-87 | Grip Handle Black |
| 31 | 532 16 94-84 | Retainer Clip Dia. 290 |
| 32 | 532 12 68-75 | Rivet Rd Hd Drilled 3/8 Dia |
| 36 | 819 13 20-16 | Washer 13/32 x 1-1/4 x 16 Ga. |
| 37 | 532 17 54-01 | Plug Support Bagger CRD |
| 38 | 872 01 05-20 | Bolt 5/16-18 x 2-1/2 |
| 39 | 532 18 09-85 | Seal |
| 41 | 532 16 96-83 | Bracket Vert Adj Bagger CRD |
| 42 | 873 80 05-00 | Nut Lock Hex W/Ins 5/16-18 UNC |
| 43 | 534 17 40-83 | Plug Tubing End |

NOTE: All component dimensions given in U.S. inches
1 inch = 25.4 mm